

- Back**
- o PushPull Power
 - o Flat Cable Connectors SEK
 - o *har-mik®*
 - o D-Sub
 - o InduCom

- **Applications**

Product details

09 04 232 6826

Printed board connector

Type	Type D
Standard/Inverse	Inverse
Contact gender	Female contacts
Size	Whole size
Number of contacts	32 poles
Contact arrangement	Rows a and c
Termination	Angled solder pins
Termination length	3.0 mm
Performance Class	Performance level 2 as per IEC 60603-2
Contacts	with contacts
Row pitch	5.08 mm
Board fixing	Without fixing
Coding facility	without coding facility
Current	6 A max.
Clearance/ Creepage	3,0 / 3,0 mm min
RoHS compliant	Yes

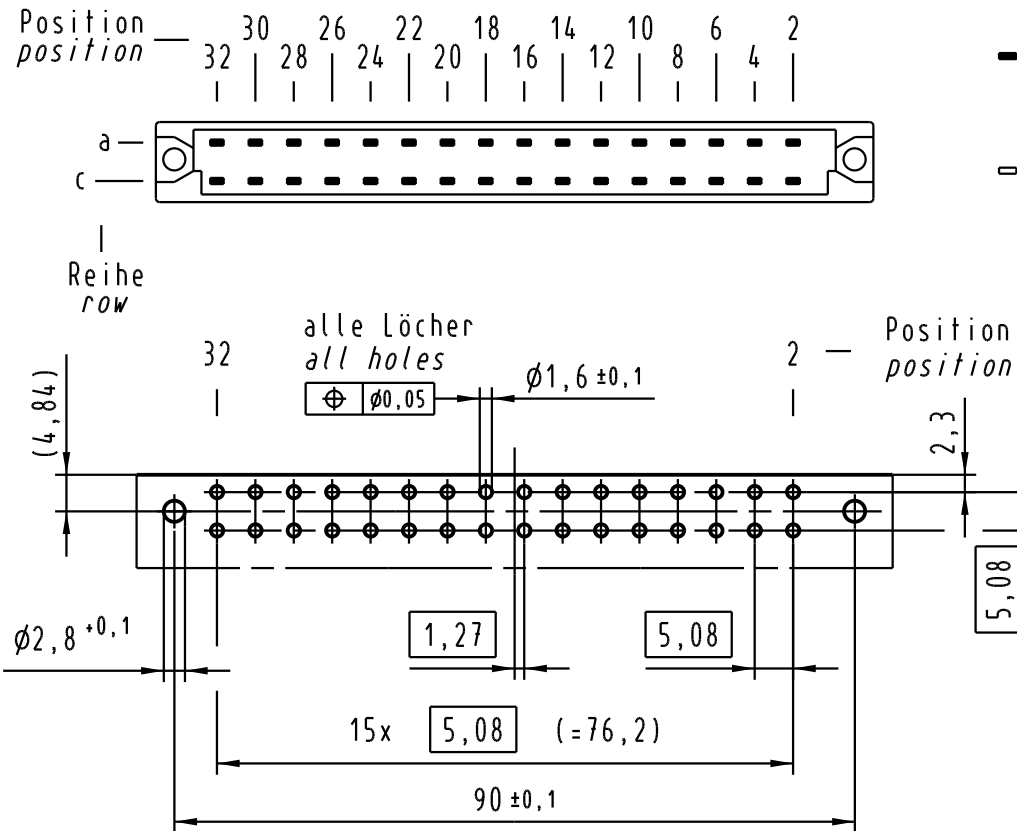
Inquiry

Alle Rechte vorbehalten. All rights reserved

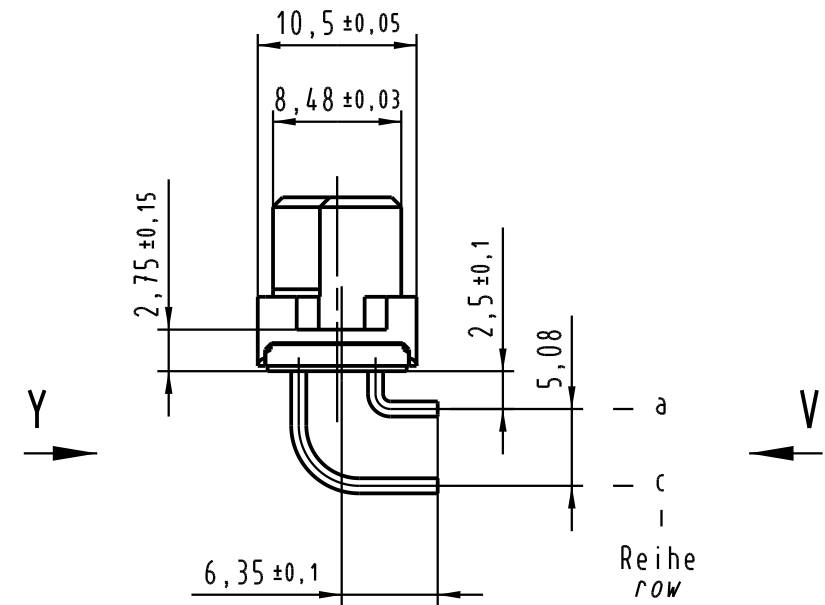
X
 Kontaktnordnung
contact arrangement

32 Einlöt 1x1 - Kontakte
 32 solder 1x1 - contacts

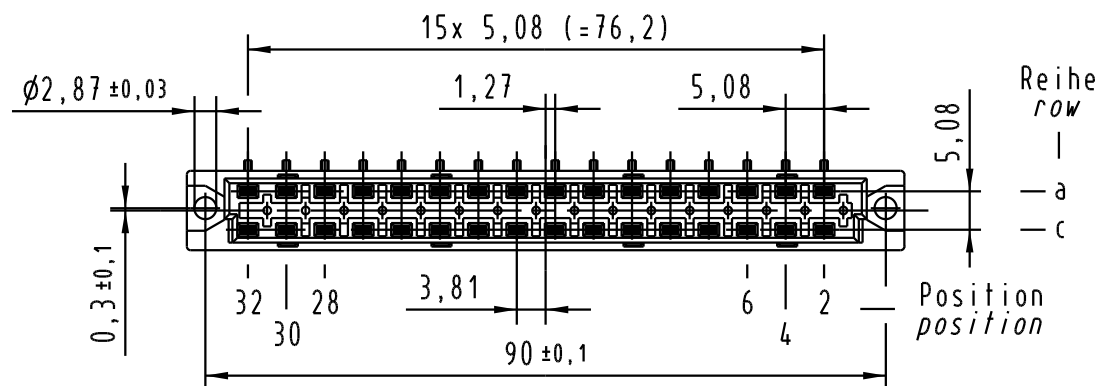
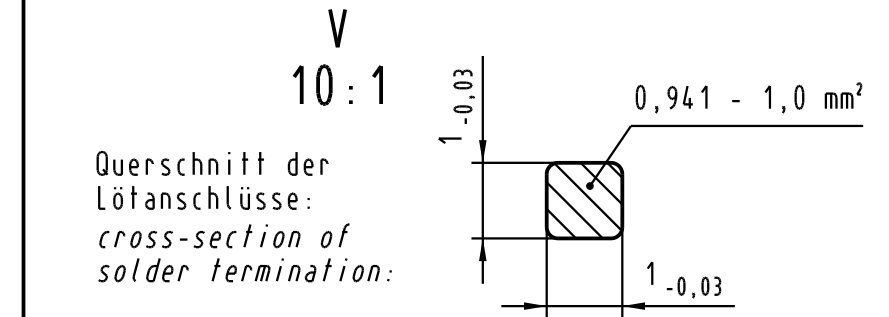
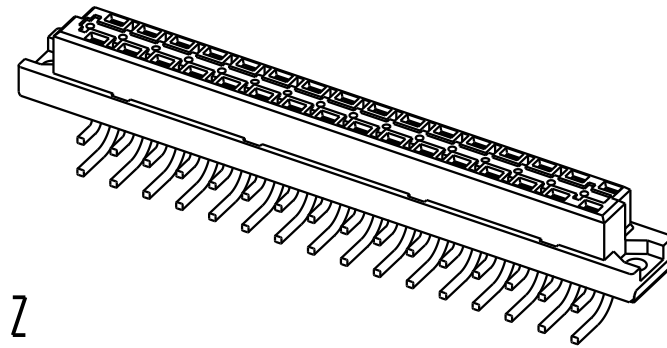
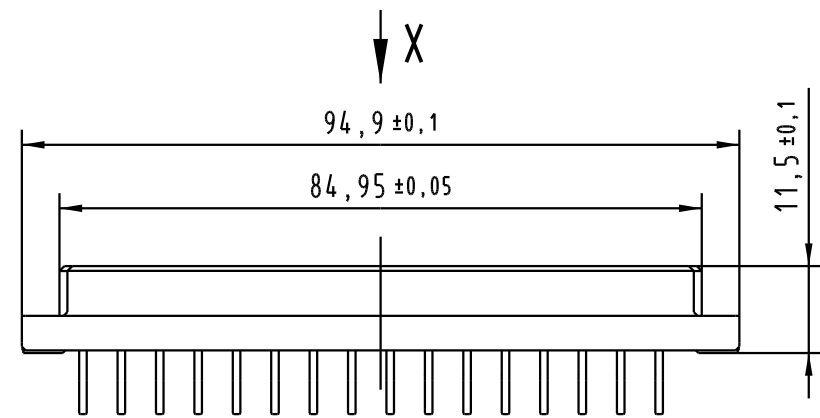
Z
 2:1



- = Kontaktposition belegt
 = position with contact
- = Kontaktposition nicht belegt
 = position without contact



— a
 — c
 |
 Reihe
 row
Y
 (Lochbild)
 (board drillings)



-	-	-
09 04 232 6826	2	Au über/over Ni
09 04 232 2826	1	Au über/over Ni
Bestell-Nr. part-no.	Anforderungsstufe nach IEC performance level acc. to IEC	Kontaktoberfläche contact plating

All Dimensions in mm Original Size DIN A 3		Techn. Character. IEC 60603-2		Nicht tolerierte Maßel Free size tolerances IEC 60603-2	
		Dat. Name 14.08.06 LehT		Bauform / type D Federleiste Einlöt 1x1 gewinkelt 32 pol. female connector solder 1x1 angled 32 pol.	
		Insp. 14.08.06 mte			
		Stand.			
33859 Mod.		HARTING Electronics GmbH & Co. KG D-32339 ESPELKAMP		TB 09 04 232 x826 Sub. TB 09 04 232 6826 Mod. - v. 04.11.87	